



**Telycam** Telecam Technology Co.,Ltd

## TLC-300-IP-20(NDI)-L 20x FHD NDI PTZ Video Camera



Telycam TLC-300-IP-20(NDI)-L is a professional full HD video camera, with NDI, HDMI and 3G-SDI output interface, and Line In input. It has 20x optical zoom, NDI enables live streaming simpler, easier and affordable. No mess, an Ethernet cable enables video, audio, control, tally, and power. TLC-300-IP-20(NDI)-L enables live streaming solution professional as well as affordable, working with TriCaster, Wirecast, Vmix, OBS, Xsplit etc, applied for Government, Church, Corporate, Class Room, Studio, Gaming and Professional AV environments.

### Feature:

- Adopts most advanced ISP, 1/2.8 inch 5MP sensor, providing users crystal clear video.
- 20x Optical Zoom + 2x Digital Zoom, with 61 degree field of view, ideal for large space AV solution.
- IP Video Streaming, includes both H.264, H.265 video encoding;
- 1080p60 full HD video over NDI|HX, , HDMI, 3G-SDI output video simultaneously.
- Add with Line In port to support audio input.
- WDR, 3D Noise Reduction feature;
- Power over Ethernet: one single CAT5/6 to get video, control, tally and power;
- Live RTMP streaming, streaming to YouTube Live and Facebook Live directly.
- Special Focusing Algorithm: fast and precise focusing performance when zooming or moving,
- Smooth PTZ mechanical design, accurate pan tilt motor control;
- 128 presets;
- Standard Sony VISCA, IP VISCA, PELCO-P, PELCO-D control protocol; IP VISCA over both TCP and UDP.
- Daisy chain supported.
- Image flip function, support upside-down installation;
- Supplied with functional IR remote controller, can set IP address via OSD menu;
- Support multiple browsers to view video such as IE, Chrome, Firefox, Safari in both Mac and Windows system.
- Optional enclosure color: silver, grey, black, white.

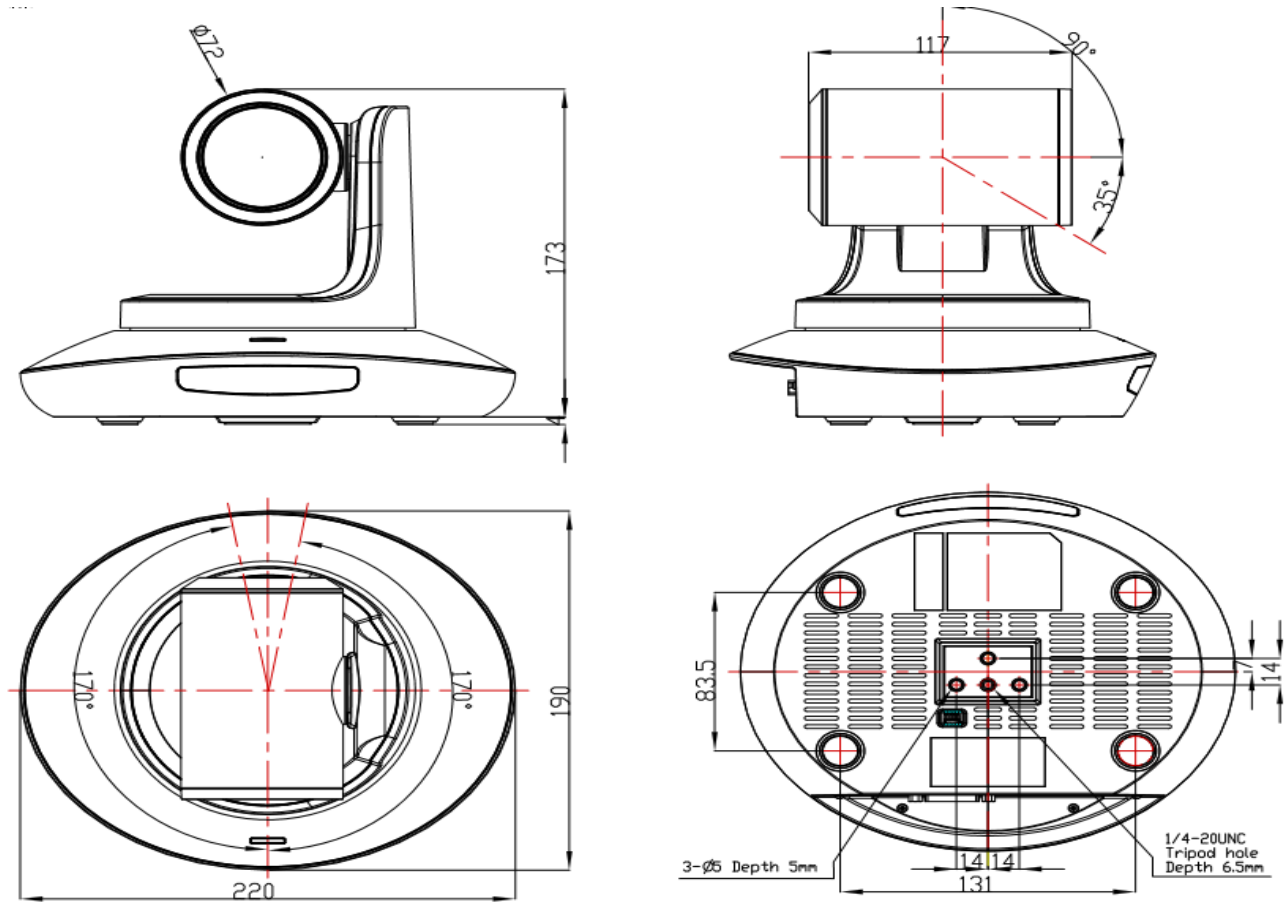


**Telycam** Telectam Technology Co.,Ltd

**Output Interface**



**Dimensional Drawing ( mm )**





# Telycam Telecam Technology Co.,Ltd

## Technical Spec

Model Number	TLC-300-IP-20(NDI)-L		
Sensor	1/2.8 inch, 5mega pixel high quality Sony CMOS sensor		
Video Format	HDMI	NDI HX	3G- SDI
	1920*1080p60/50/30/25, 1280*720p60/50/30/25, 1920*1080i60/50	Main stream 1920*1080p/60/50/30/25, 1280*720p60/50/30/25, Sub stream: 1280*720p60/50/30/25, 1024*576p60/50/30/25 640*360p60/50/30/25	1920*1080p60/50/30/25, 1280*720p60/50/30/25, 1920*1080i60/50
Zoom	20x optical zoom & 2x digital zoom		
FOV	60.5°		
F.no.	Wide: F1.5(Wide)~3.0 (Tele)		
Focal Length	f=5.2(near)~98mm(far)		
Preset	10 via remote controller; 128 via serial port; preset precision:0.1°		
Rotation Angle	Pan: -170° ~ +170°; Tilt: -30° ~ +90°		
Rotation Speed	Pan: 0°~120°/s ; Tilt: 0°~80°/s		
Control Port	NDI HX/ RS232 / RS485		
Video Port	NDI HX/3G-SDI/HDMI/USB3.0		
Network Speed	1000M		
Noise Reduction	2D&3D		
SNR	>50dB		
Minimum LUX	0.01 LUX		
White Balance	Auto / Manual/Auto Tracking/OnePush/Indoor/Outdoor/		
Anti Flicker	50Hz/60Hz/OFF		
D/N Mode	Supported		
Gamma	Supported		
Mirror Image	Supported		
PanTilt Flip	Supported		
Iris	Auto / Manual/		
Electric Shutter	Auto / Manual/		
BLC	Auto / Manual/		
Focus	Auto / Manual/		
Video Encoding	H.264/H.265		
Bit Rate Control	Variable Bit Rate, Constant Bit Rate		
Video Bit Rate	1024Kbps~10240Kbps		
Frames	50HZ:1fps~30fps 60HZ:1fps~30fps		
IP Protocol	TCP/IP, HTTP, RTSP, ONVIF, DHCP, VISCA over IP (TCP&UDP), HTML5		
POE	Supported		
Audio Input	3.5mm Line In port		
Input Voltage	DC12V, 2A		
Dimension/Net Weight	220mm×173mm×190mm/1.25KGS (2.8LBS)		